


CALFINN

QUALITY WORKSHOP EQUIPMENT

M 0419 101 317 P 18004CALFINN | 1800 4225 3466

Enquires sales@calfinn.com.au Website www.calfinn.com.au

Real Quality Workshop, Need Real Quality Tools



ALL
JACKS COMPLY
TO AUSTRALIAN
STANDARDS



COMPAC

The Original
GOJAK
THE FASTER CASTER SYSTEM[®]

POWER HAND[®]
POWER FOR PROFESSIONALS

About Us

Calfinn Pty. Ltd. is a privately owned company, established in Australia in 1993.

Calfinn's aim is to supply professionals' equipment's and tools throughout Australia with quality products that not only can do the job but last, tools and equipment of the highest quality, the safest, and the most durable.

Calfinn's focus is on providing quality workshop solutions to the Automotive Industries, including Mechanical, Crash Repair, Refinishing, Tyre fitting and Towing Industries, Defence Industries, Fire Service, Police, Ambulance and Parking Industries.

Calfinn are the sole importer of world leading brands including Compac Hydraulik, Serenco Nederland (Go Jak), (Powerhand) and (RAK-JAK).

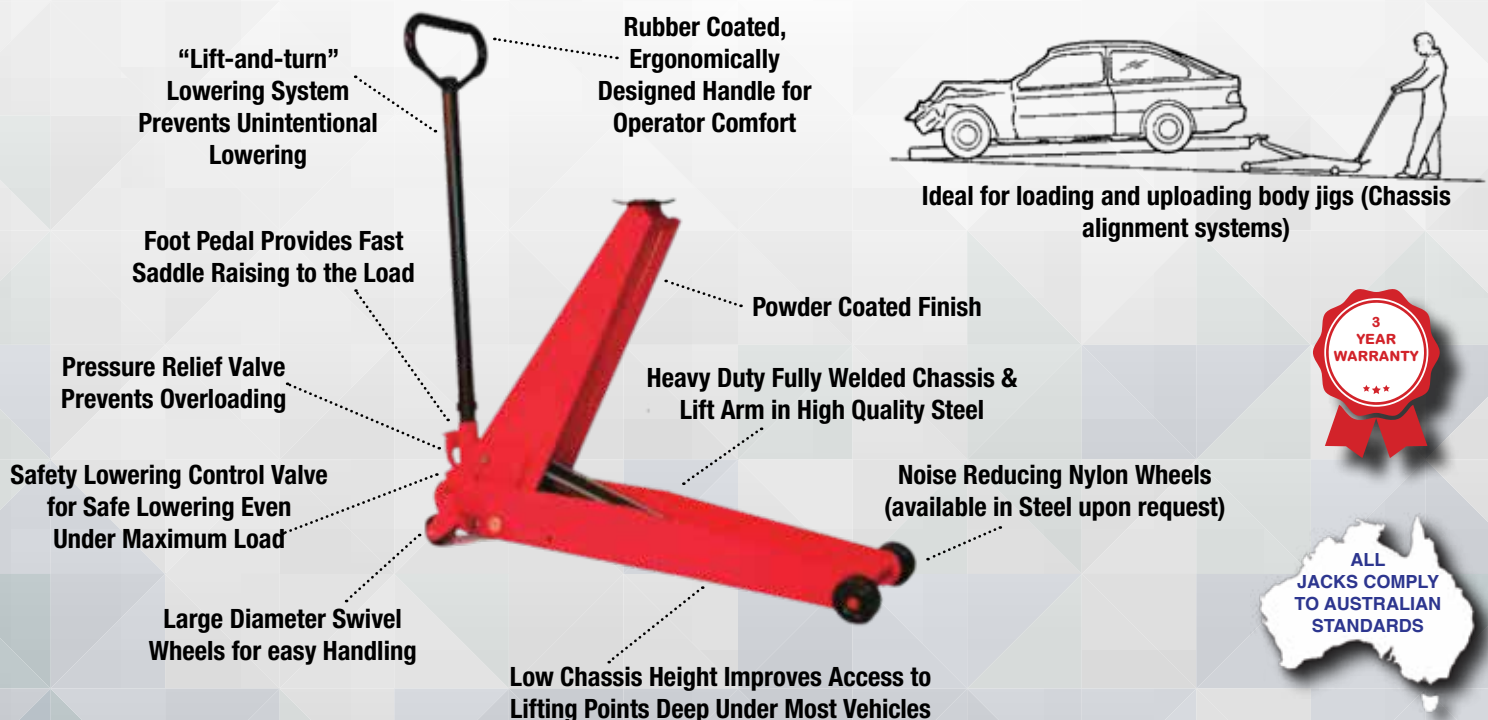
The range of products includes Trolley Jacks, Gearbox Jacks, Hydraulic Presses, Crash Repair Kits, Gojak's, Spring Compressors.

Calfinn's customers include Australia's market leaders in the Automotive industries, Defence and Agricultural industries.

Together with efficient sales, service and distribution network, covering all states in Australia; Calfinn has a well-established service centre and major warehousing facilities located in Sydney.

For all accessories and spare parts available for these products please call **1800 4225 3466**, email **sales@calfinn.com.au** or visit **calfinn.com.au**.

Common To All Compac Jacks

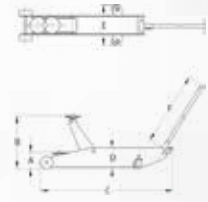


Automotive - 1,500kg Ultra Low Entry Height Jack - 2T-77



Model	Max (Kgx1000)	A (mm)	B (mm)	C (mm)	D (mm)	E (mm)	F (mm)	Kg
2T-77	1,500	77	480	950	126	380	925	42

Maximum Height 480mm
Minimum Height 77mm

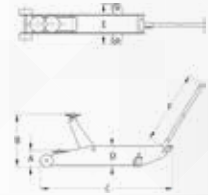


Automotive - 1,500kg Standard Jack - 2T-C



Model	Max (Kgx1000)	A (mm)	B (mm)	C (mm)	D (mm)	E (mm)	F (mm)	Kg
2T-C	1,500	80	500	730	160	380	925	36

Maximum Height 500mm
Minimum Height 80mm

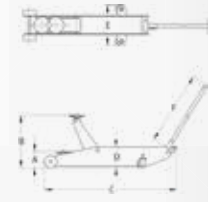


Automotive - 1,500kg High Lift Jack - 2T-HC



Model	Max (Kgx1000)	A (mm)	B (mm)	C (mm)	D (mm)	E (mm)	F (mm)	Kg
2T-HC	1,500	98	735	1035	200	380	1045	56

Maximum Height 735mm
Minimum Height 98mm

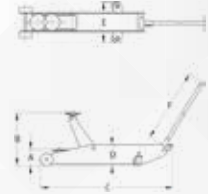


Automotive - 1,700kg Long Chassis Jack - 3T-C



Model	Max (Kgx1000)	A (mm)	B (mm)	C (mm)	D (mm)	E (mm)	F (mm)	Kg
3T-C	1,700	115	500	1015	170	380	925	43

Maximum Height 500mm
Minimum Height 115mm

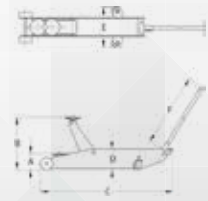


Trucks - 4,000kg High Capacity Jacks - 4T-C



Model	Max (Kgx1000)	A (mm)	B (mm)	C (mm)	D (mm)	E (mm)	F (mm)	Kg
4T-C	4,000	130	560	1270	200	465	1045	75

Maximum Height 560mm
Minimum Height 130mm

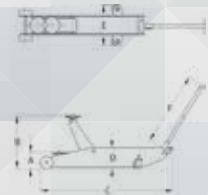


Trucks - 7,500kg Low Profile Jack - 10T-C G4



Model	Max (Kgx1000)	A (mm)	B (mm)	C (mm)	D (mm)	E (mm)	F (mm)	Kg
10T-C G4	7,500	165	580	1410	225	435	1045	110

Maximum Height 580mm
Minimum Height 165mm

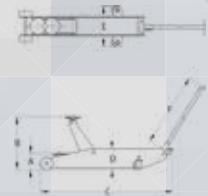


Trucks - 10,000kg High Capacity Jack - 10T-2A



Model	Max (Kgx1000)	A (mm)	B (mm)	C (mm)	D (mm)	E (mm)	F (mm)	Kg
10T-2A	10,00	200	600	1790	325	475	1045	169

Maximum Height 600mm
Minimum Height 200mm



Air Hydraulic Jacks

Air Hydraulic Jack designed specifically for lifting Agricultural Machinery

- Heavy duty 1-stage cylinder with long lifting stroke
- Maximum height 580mm without extensions
- Maximum height 780mm by utilisation of the 3 extensions
- Standard with extensions: 120, 70 & 10mm

- Heavy duty 2-stage cylinder with long lifting stroke
- Maximum height 300mm without extensions
- Maximum height 500mm by utilisation of the 3 extensions
- Standard with extensions: 120, 70 & 10mm



Heavy Vehicle Air Hydraulic Jack



AH28-HC



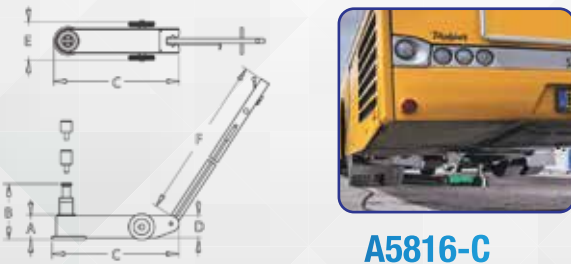
A4020-C

Model	Max (kgx1000)	A (mm)	B (mm)	C (mm)	D (mm)	E (mm)	F (mm)	Kg
AH28-HC	28	350	580	735	350	280	1230	58

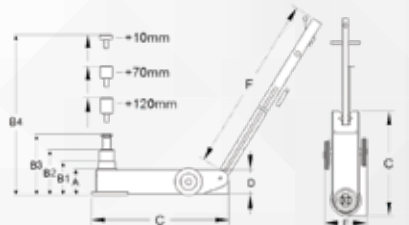
Model	Max (Ton)	A (mm)	B1 (mm)	B2 (mm)	B3 (mm)	C (mm)	D (mm)	E (mm)	F (mm)	Kg
A4020-C	40/20	150	220	300	—	495	168	310	1230	44

Extremely Low, Air Hydraulic Jack for Low Access Buses

- Minimum height 120mm
- Durable 3-stage cylinder provides relatively high maximum lifting height
- Standard with extensions: 120, 70 & 10mm



A5816-C



- Min. height 220mm
- Max. height 450mm
- Maximum height 650mm by utilisation of the 3 extension
- Long chassis and handle for better reach

Model	Max (kgx1000)	A (mm)	B (mm)	C (mm)	D (mm)	E (mm)	F (mm)	Kg
A5816-C	58/32/16	120	255	665	130	305	1360	52

Accessories



Minimum Height 120mm!



A5830-C

Model	Max (kgx1000)	A (mm)	B1 (mm)	B2 (mm)	B3 (mm)	C (mm)	D (mm)	E (mm)	F (mm)	Kg
A5830-C	58/32/16	220	330	450	650	1050	150	350	1360	80

Wheel Dollies



WD Mobile

Ideal for service trucks. Easy and safe mounting, demounting and handling of heavy wheels for trucks and buses.

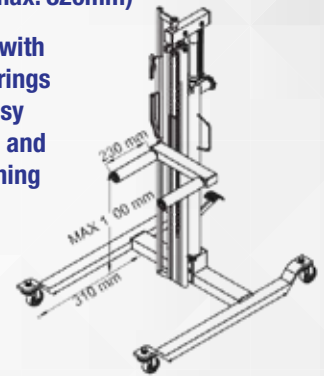


WD-60

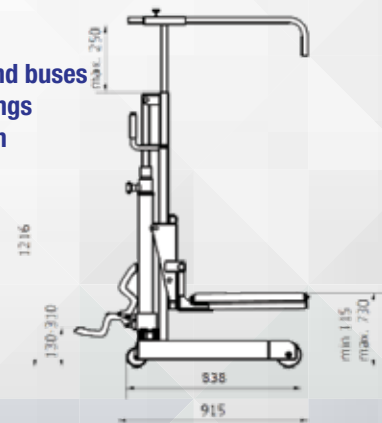
Compac's wheel lifter is an ergonomic solution for easy and safe demounting, handling and mounting of aluminium wheels with low profile tyres up to 24". Capacity wheels up to 60kg (outside diameter max. 820mm)



Rollers with ball bearings for easy rotation and positioning



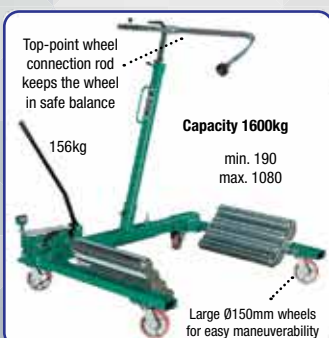
- Capacity - 500kg
- Foot operated lifting even with maximum load
- Ideal for lifting heavy twin wheels on trucks and buses
- Sliding lifting arms with rollers with ball bearings
- Enables handling of wheels with diameter from Ø 260mm - 1320mm
- Max lifting height 730mm



WD-1600

Capable of handling large wheels from 1150mm up to 2150mm in diameter and up to 1050mm in depth. Easy to use outside the workshop. Disassembled in a few seconds.

Capacity 1600kg



25 Tonne Workshop Presses

Hand or Foot Hydraulic Presses

Accessories & Options



Moveable cylinder

Air return feature

Hard chrome piston

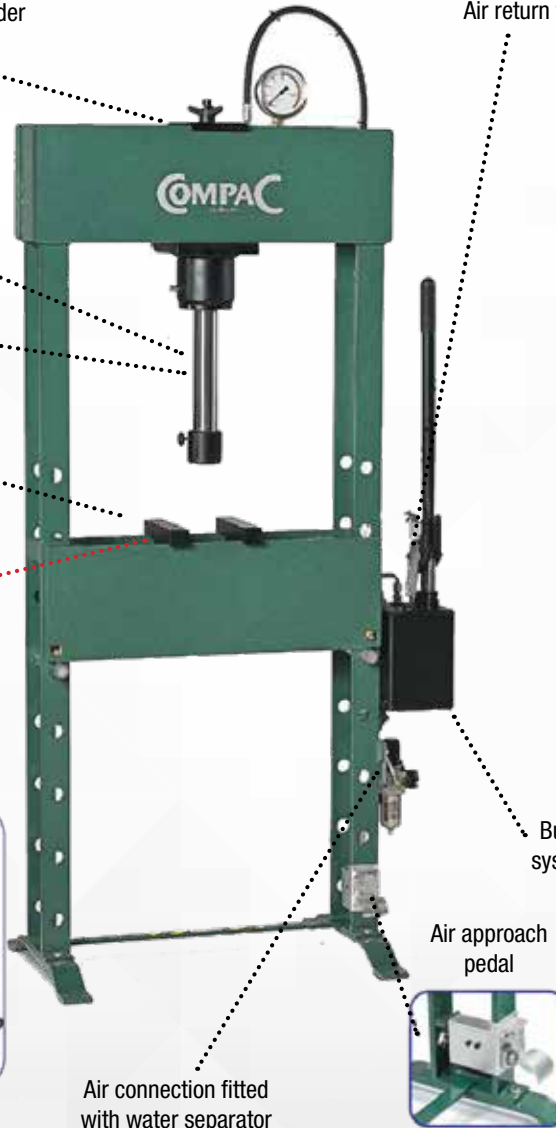
Very long stroke of 240mm

Two V-blocks and easy to read pressure gauge included

200mm Bed Available



Foot operated for hands-free operation under load & return



Built-in release system in handle

Air approach pedal

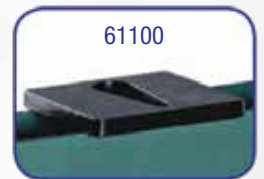
Air connection fitted with water separator



61240

Shelves for storing (Excl. accessories shown on picture)

Accessory shelves for storing (Nr.61240)



61100

Press Plate



52010

Optional Winch (factory mounted) Available for FP25/HP25



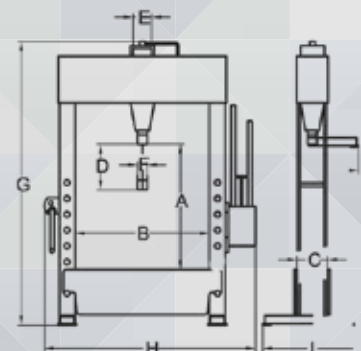
Press Punches (7 pieces ø12, 14, 16, 20, 22, 25, 30)



Bearing Removal Kit (4 pieces ø64, 67, 72, 75)

HIGHER CAPACITY AND ELECTRIC PRESSES AVAILABLE

Model	Max (Ton)	(mm/stroke)	A (mm)	B (mm)	C (mm)	D (mm)	E (mm)	F (mm)	G (mm)	H (mm)	I (mm)	Kg
FP 25	25000	9,0/3,0	915	600	140	240	90	50	1850	880	520	148
FP 25W	25000	9,0/3,0	915	600	200	240	90	50	1850	880	520	161
HP 25	25000	9,0/3,0	915	600	140	240	90	50	1850	880	520	147
HP 25W	25000	9,0/3,0	915	600	200	240	90	50	1850	880	520	160



50 - 100 Tonne Workshop Presses

Hand or Foot Hydraulic Presses



Hard chrome piston with very long stroke of 300mm

Two V-blocks and easy to read pressure gauge included

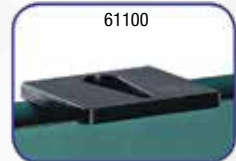
Fast and safe adjustment of the press table height, using a braked winch. (Air operated height adjustment on HP100 with chains attached to piston. Winch is available for HP100 as a factory mounted accessory)



Fast air return. Air connection required

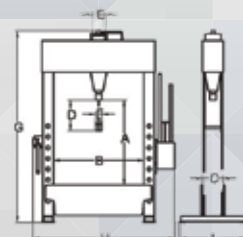
Hand operated, two-speed pump for fast approach of the piston to the working area

Accessories & Options



Model	Max (Kg)	(mm/ stroke)	A (mm)	B (mm)	C (mm)	D (mm)	E (mm)	F (mm)	G (mm)	H (mm)	I (mm)	Kg
FP 50	50000	6,7/0,7	840	840	200	300	125	60	1830	1320	620	323
HP 50	50000	6,7/0,7	840	840	200	300	125	60	1830	1350	620	315
HP 70	70000	3,8/0,4	850	1000	255	300	160	80	1980	1540	680	620
HP 100	100000	3,4/0,3	900	1025	300	320	220	100	2150	1620	860	910

(Air operated height adjustment of press table on HP100 with chain attached to piston)



40-100 Tonne Workshop Presses

Electro - Hydraulic Presses

Moveable cylinder (Excl. EP100D)
Moveable cylinder is available for EP100D as a factory mounted accessory

Hard chrome piston

Flange for fitting of tooling

Two V-blocks included



Fast and safe adjustment of the press table height, using a braked winch (EP100D uses chains attached to the piston. The winch is available for the EP100D as a factory mounted accessory)

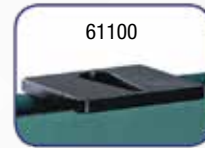


Very long stroke of 300mm

Multi-adjustable pressure valve, with easy to read pressure gauge with ton/kN scales

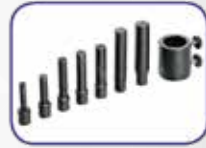
Model	Max (Kg)	(mm/sek)	(Pull/ton)	A (mm)	B (mm)	C (mm)	D (mm)	E (mm)	F (mm)	G (mm)	H (mm)	I (mm)	Kg	Kw
EP 40	40000	9,0	-	840	840	200	300	125	60	1830	1450	620	345	2,2
EP 60	60000	10,0/5,0	-	850	1000	255	300	160	80	1980	1760	680	670	2,2
EP 40D	40000	9,0	6	810	840	200	300	125	60	1940	1450	620	355	2,2
EP 60 D	60000	10,0/5,0	6	820	1000	255	300	160	80	1980	1640	680	717	2,2
EP 100 D	100000	10,0/1,4	4	900	1025	300	320	220	100	2150	1620	860	910	2,2

EP 40 D = Electro Hydraulic Press. EP 40 D= Capacity 40 Tons. EP 40 D = Double Acting Cylinder. Available in 3 Phase & 240 Volt



61100

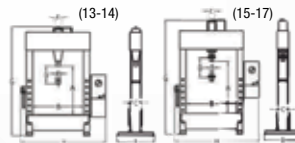
Press Plate



Press punches (7 pieces, Ø12, 14, 16, 20, 22, 25, 30)

EP40D
EP60D
EP100D

A 90° hinged pump unit enables easier insertion of longer work-pieces (Excl. EP100D)



A 90° hinged pump unit enables easier insertion of longer work-pieces (Excl. EP100D)



Moveable Cylinder with long stroke

Transmission Jacks

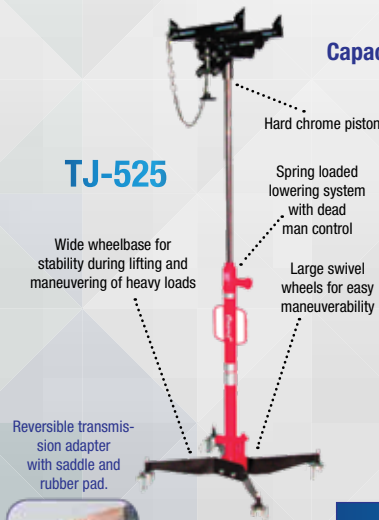
3 In 1 Transmission Jack

Support stand, transmission jack & fluid draining stand. Ideal for many under car jobs. Much more than just a tool for removal and fitting of transmissions. Ideal for handling and supporting exhaust systems, fuel tanks, etc.

Telescopic Transmission Jack

Capacity 1300 / 500kg

TJ-1300



Capacity 525kg

Hard chrome piston

Spring loaded lowering system with dead man control

Large swivel wheels for easy maneuverability

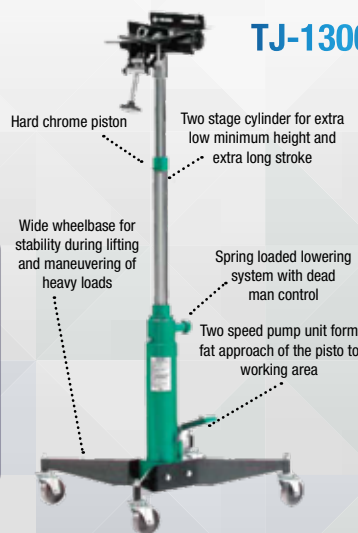


Reversible transmission adaptor access when used for jobs other than transmissions.

Kit includes: Support Stand Transmission Jack



Bonus Oil Drain Kit Adapter & Saddle



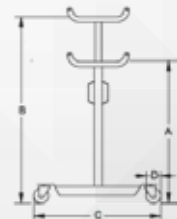
Hard chrome piston

Two stage cylinder for extra low minimum height and extra long stroke

Wide wheelbase for stability during lifting and maneuvering of heavy loads

Spring loaded lowering system with dead man control

Two speed pump unit form fat approach of the pisto to working area



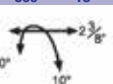
Comes with the TJ-525 & TJ-1300

Adjustable transmission tool tilts to enable positioning and safe handling of transmission. Comes with chains.



Fits TJ-525 & TJ-1300

Max (kg.)	Kg. (weight)
500	18



Bonus Adapter and Saddle included



Upgrade Available Adjustable transmission tool. Tilts in a 3 way axis to enable positioning and safe handling of transmissions. Comes with Ratchets & Straps.



Fits TJ-525 & TJ-1300

300kg capacity



Model	Max (kgx1000)	A (mm)	B (mm)	BB (mm)	C (mm)	D (mm)	Kg
TJ 525	0.525	1170	2020	—	595x535	80	32
TJ-T 1300	1.3/0.5	1000	2010	1500	760x640	100	65

RakJaks



Real RakJaks come equipped with a long or short handle.

Model Number	DU-RJDBT2(L)	DU-RJTBT2(L)	DU-RJTBT3(L)
Capacity	2000kg at 8 bar (105 PSI)	2000kg at 8 bar (105 PSI)	3000kg at 8 bar (105 PSI)
Relaxed Height	146mm / 5.75"	173mm / 6.81"	185mm / 7.28"
Full Extension	350mm /13.75"	457mm /18"	477mm /18.77"
Air Pressure	8 bar / 105 PSI	8 bar / 105 PSI	8 bar / 105 PSI
Weight	16kg / 19.6kg	22kg / 25.5kg	27.5kg / 35kg
Workshop Warranty	2 year	2 year	2 year

Wall-Mount Bracket Du-RJBkT

Wall mount bracket to keep your RakJak accessible and off the floor. Organise your shop with these handy wall mount brackets. Plugs and screws for masonry mounting included.



Handheld Media Blasters & Recovery Unit

Speed Blaster 007R



Model	Speed Blaster 007R
Working Pressure	5 ~ 7 bar
Max. Air Pressure	5 ~ 7 bar
Air Consumption	280 l/min
Min. Air Compressor	3 HP
Fitting Size	0.635cm / 1/4"
Container Capacity	0.75 l
Material	ABS
Empty Weight Max.	600g
Particle Size	14 Grit

Our Legendary sandblaster system is able to eliminate rust, scale, paint and corrosion from even the smallest nicks of metal, to ensure complete removal.

Able to use a variety of blast media that doesn't exceed 14 grit, the Speed Blaster runs continuously and virtually clog free with the correct media and moisture-free air.

Hot Spot Recovery System



Convert your Speed Blaster into a spot blaster in seconds, without tools, with the Hot Spot HS2020 Spot Blast Recovery System. The HS2020 turns your Speed Blaster into a self-contained spot blast system capable of virtually eliminating blast over spray.

Simply attach one of the four blast cones provided, push the HotSpot over the Speed Blaster's ceramic nozzle and go!

Quick Spiff Air Vacuum

The Quick Spiff Air Powered Vacuum is the self contained fast easy debris cleaning solution. If you've got an air line, you've got a to have a Quick Spiff!

The Quick Spiff is completely self-contained: no tubes, no tanks, no trouble. Just connect an air-line and pick up dirt, dust, nuts bolts or whatever. You'll be amazed at the pulling power of the Quick Spiff!



Model	Quick Spiff Air Vacuum
Operating Pressure	5 ~ 7 bar
Max. Air Pressure	6.2 bar
Air Consumption	283 l/min
Min. Air Compressor	3 HP
Fitting Size	0.635cm / 1/4"
Body Material	ABS
Weight	791g

WARNING:

**EAR PROTECTION REQUIRED
DECIBEL LEVEL RANGE 110-130DB**

	GJ5211	GJ6313 L/R	GJ4520
Load Rating	590kg (2630kg per 4 units)	715kg per unit (2860kg 4 units)	575kg (2300kg 4 units)
Mechanism	Double pawl bi-directional ratchet	Double pawl bi-directional ratchet	Double pawl bi-directional ratchet
Tyre Widths	27.94cm or 11"	33cm or 13"	50.8cm or 22"
Wheel Sizes	86.3cm tall or 34"	91.44cm or 36"	91.44cm or 36"
Casters	Heavy duty: 4 x 100mm	Heavy duty: 2 x 100mm, 2 x 125mm	Heavy duty: 4 x 72.6mm
Rollers	Twin, rust resistant, plated steel	Twin, rust resistant, plated steel	4, rust resistant, plated steel
Unit Weight	13.7kg	17.5kg	18.5kg
Packed	1 unit per box	1 unit per box	1 unit per box
Workshop Warranty	2 years	2 years	2 years
Used For	Passenger Cars	4 Wheels & Cars	Sports Car



	GJ7016	GJ4107 L/R	GJ6520
Load Rating	782kg (3182.4kg 4 units)	465kg (1395kg 3 units)	816kg (3264kg 4 units)
Mechanism	Double pawl bi-directional ratchet fits	Double pawl bi-directional ratchet fits	Double pawl bi-directional ratchet
Tyre Widths	Tyres up to 40.64cm wide or 16"	Tyres for Type 1 Aircraft	Fits tyres up to 50cm wide
Wheel Sizes	Heavy duty: 4 x 100mm	Heavy duty: 4 x 812mm (inc. tyre)	7.5" to 22"
Casters	Double ball bearing certified casters	Max 7" or 17.7878cm	Heavy duty: 4 x 72.6mm
Rollers	Twin, rust resistant, plated steel	Twin, rust resistant, plated steel	6, rust resistant, plated steel
Unit Weight	24kg	18.5kg	23kg
Packed	1 unit per box	1 unit per box	1 unit per box
Workshop Warranty	2 years	2 years	2 years
Used For	Dual Wheels	Light Aircraft	Hybrid



GoJak Trolley GJ567R



Stores 4 GoJaks in a convenient and orderly manner. Suitable for all GoJak models.

Tow Truck Mount Bracket GJGOTOW

The GoJak Truck Mount Bracket conveniently stores your GoJak until needed. The self-locking ratchet design insures your GoJaks stay in place and a convenient padlock bracket is provided to prevent theft. For use with all GoJak models 5000, 4500 and 6200.



Mounting hardware included.



Wall-Mount Bracket GJGOBKT



Convenient wall-mount bracket to keep your GoJak off the floor and accessible. Organise your shop with these handy brackets. Plugs and screws are included for masonry mounting. Fits all models.

Made in USA.

As used by Leading Motor Sports Teams. 2 year Warranty.

CALFINN

QUALITY WORKSHOP EQUIPMENT

M 0419 101 317

P 18004CALFINN | 1800 4225 3466

Enquires sales@calfinn.com.au

Website www.calfinn.com.au

COMPAC

The Original
GOJAK
THE FASTER CASTER SYSTEM®

POWER HAND®
POWER FOR PROFESSIONALS